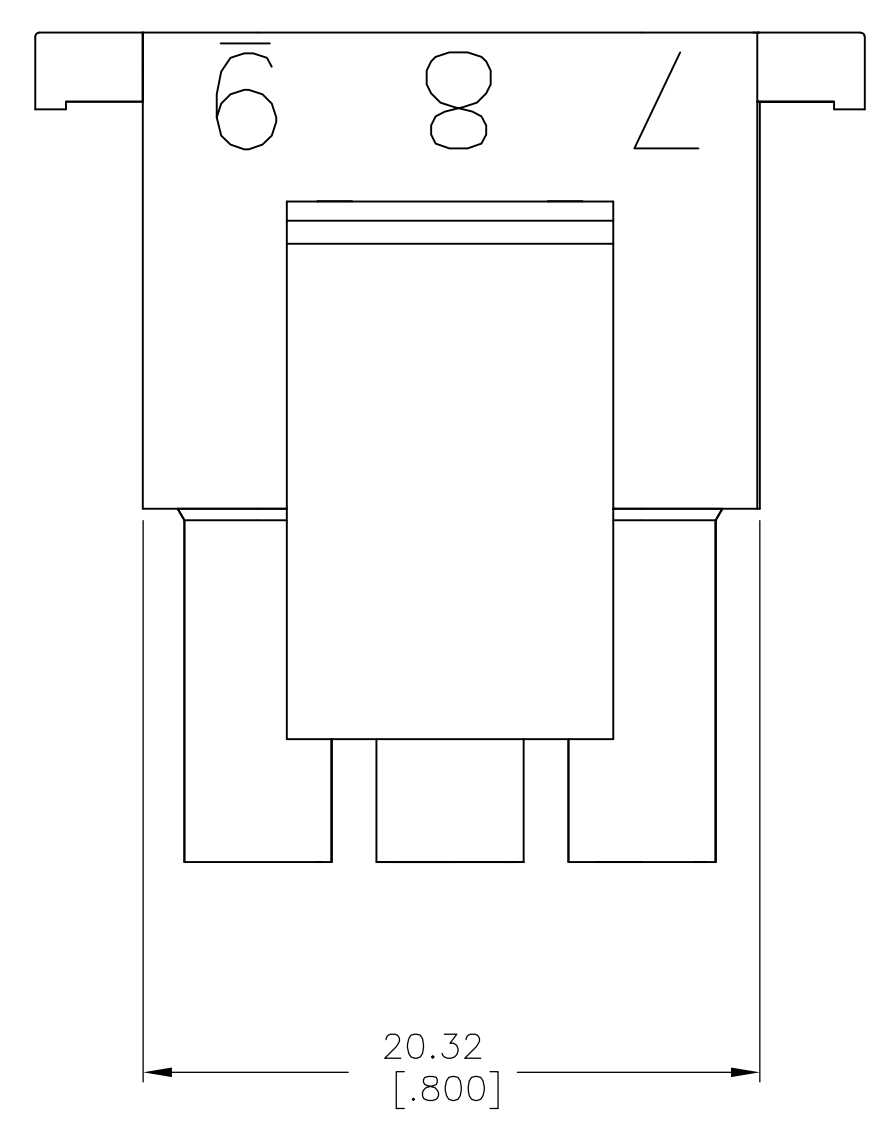
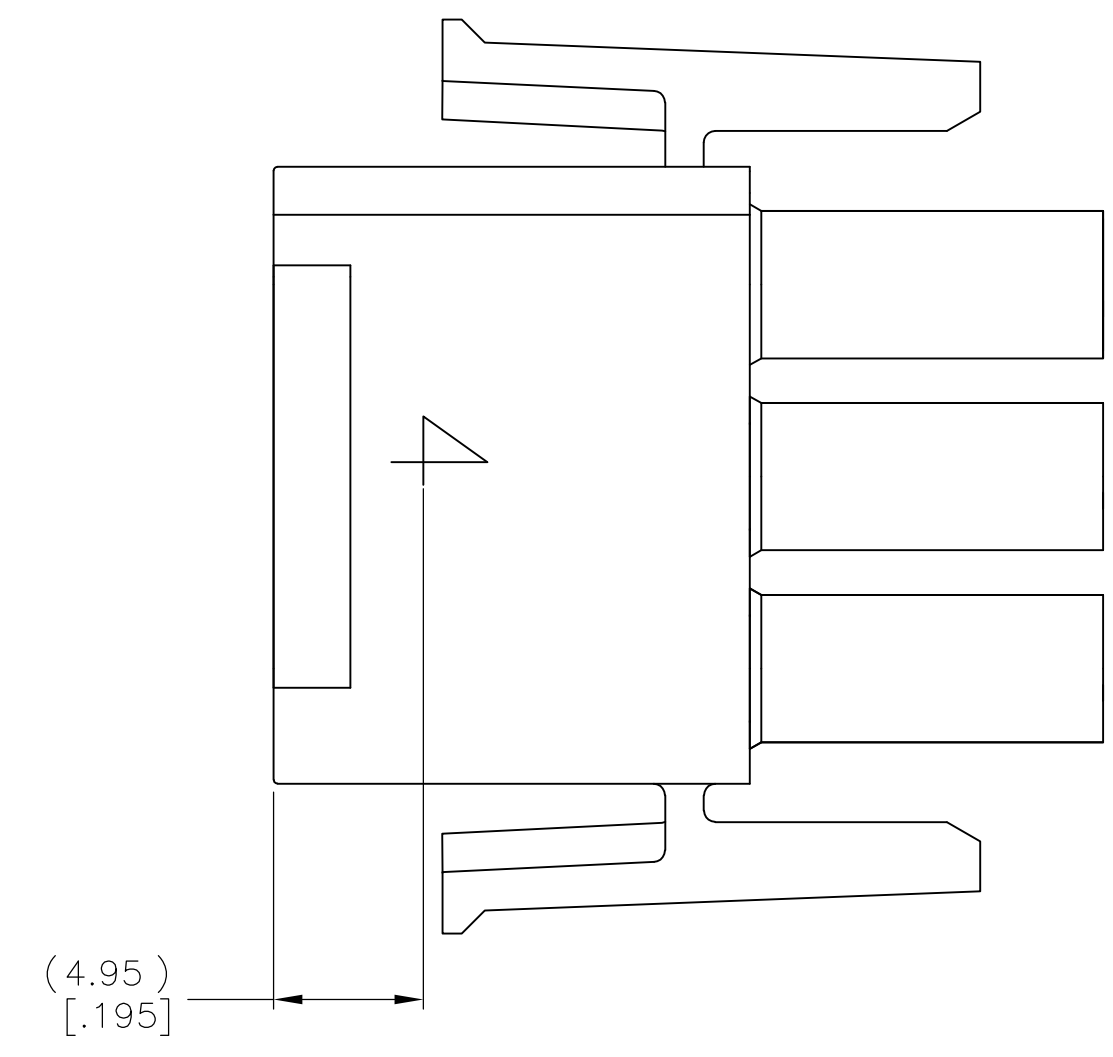
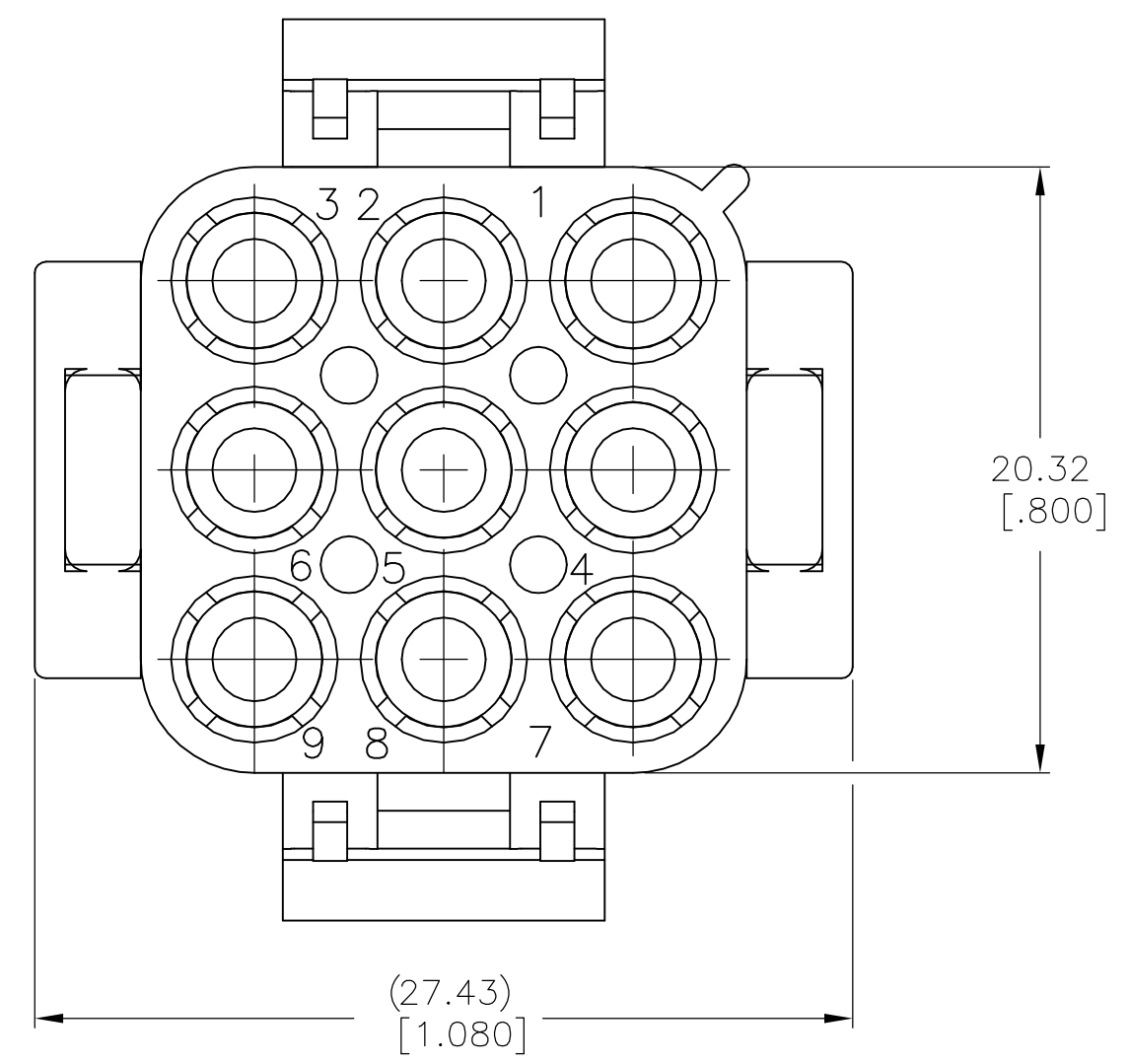
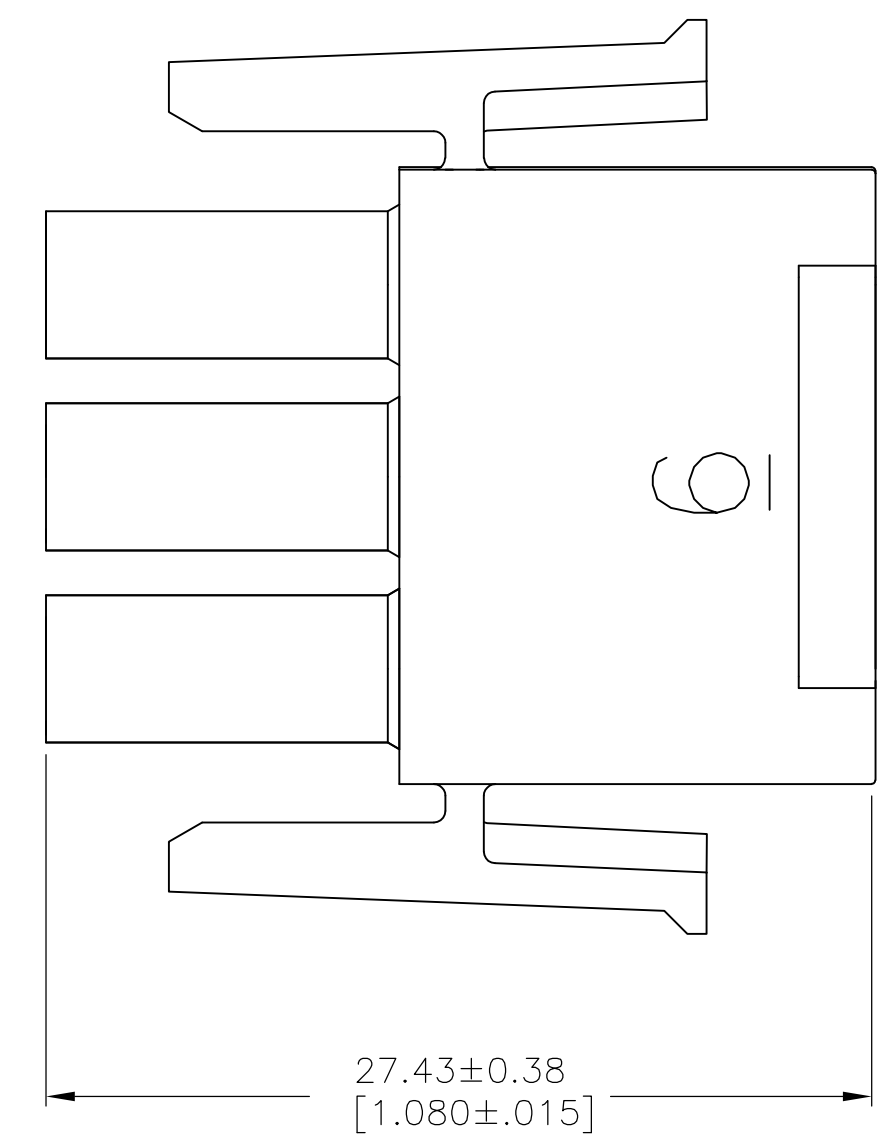


1. STAMP NUMBERS 3.18 [.125] HIGH AT WIRE END OF HOUSING (12 POINT DAVID TYPE).
2. CHARACTERS TO BE POSITIONED ON HOUSING TO BE READ FROM WIRE END ONLY.
3. VIOLET, BLACK, BROWN, AND BLUE COLORED BLOCKS TO BE STAMPED WITH WHITE CHARACTERS. ALL OTHER COLORED BLOCKS TO BE STAMPED WITH BLACK CHARACTERS.



NATURAL	2-480706-0
COLOR	PART NUMBER

THIS DRAWING IS A CONTROLLED DOCUMENT.		DIN K. WHITAKER 01SEP2004		NATURE	
DIMENSIONS: mm [INCHES]		CHK S. RIDGILL 01SEP2004		COLOR	
TOLERANCES UNLESS OTHERWISE SPECIFIED:		APVD S. RIDGILL 01SEP2004		NATURE	
0 PLC	± -	NAME		PLUG, 9 CIRCUIT, UNIVERSAL MATE-N-LOK	
1 PLC	± -	PRODUCT SPEC		SIZE	
2 PLC	± 0.13 [.005]	APPLICATION SPEC		CAGE CODE	
3 PLC	± -	WEIGHT		DRAWING NO	
4 PLC	± -	CUSTOMER DRAWING		480706	
ANGLES	± 0.30°	SCALE		SHEET	
MATERIAL	FINISH	SCALE 4:1		SHEET 2 OF 2	
		REV		AL	

